

**Corrigendum-1**  
**To The RFP for Upgradation of Local Area Network**  
**Published on our Website on October 7, 2016**

This is in reference to the Pre-Bid meeting with bidders taken place at NIBM on October 26, 2016. Following are the queries raised by the bidders present for the said meeting and explanations thereon.

1) Is there any specific brand is already fixed for Network Switches, Cables (CAT-6/Fiber), etc.? Which brands can be quoted in RFP?

Ans: There is/are no specific pre-determined brand/s which should only be quoted in RFP. But to ensure the long life with optimal performance of the product, bidders are suggested to take due precaution not to bid for those brands which are normally treated as low quality brands in the market.

2) Can the architectural diagrams of the concerned locations be made available for exact planning?  
What will be the route for External Fiber Optic Cable up to the Main Gate?  
Can the bidders will get a chance to do a site survey to understand the location's position?

Ans: Architectural diagrams can not be made available to the bidders for administrative reasons. But all bidders can made site survey to understand the locations. Bidders, along with their technical personnel, should reach NIBM Computer Centre by **11.00 AM on Tuesday, November 8, 2016**. A common site survey is arranged along with Shri Shekhar Naik, Systems Administrator from NIBM Computer Centre.

Please note that no individual assistance will be provided by NIBM for site survey after this survey.

3) What are the pipe standards which are required to cover underground fiber optic cable?

Ans: Primary requirement is to use ISI-marked pipes.

4) What will be the expected depth of digging for fiber optic cable?

Ans: 2 Feet below the ground is the expected depth of digging for fiber optic cables. Digging should be done minimum 2 meters away from any construction to safe-guard our load-bearing walls.

5) What will be the expected brand for Network Racks?

Ans: Again, there is/are no specific pre-determined brand/s which should only be quoted in RFP. But to ensure the long life with optimal performance of the product, bidders are suggested to take due precaution to bid only standard reputed brands. Bidder should ensure that the rack he is bidding for should be well-designed rack with better ventilation arrangements. **We are not looking for IP-66 Standard-equivalent net-racks.**

6) What is the exact number of network switches as there is a mismatch in RFP Annexure 3-7 and Annexure 4-b – Active Component Connectivity?

Ans: 24 port L2 Network Switches = 7  
48 port L2 Network Switches = 4  
48 port L3 Network Switches = 1

All interested vendors are requested to refer the latest updated Annexure-4 and 5 which are uploaded again along with this Corrigendum.

Junction Boxes are expected to be created for Fiber Optic Cable's turning points wherever required. It is also expected to keep additional FOC for future use in each Junction Box. It is understood that due flagging will be done to mark the underground cable path.

- 7) It is the sole responsibility of the selected vendor to provide due insurance cover to all the workers (skilled/unskilled) working on this project @ NIBM to shield any unforeseen accident/s. NIBM in no way will be responsible for any mishap to the bidder's personnel during the complete phase of implementation of this project.
- 8) Since there are new appointments taken place, given number of network nodes may get increase. Under such circumstances, bidders are expected to mention their cost per extra n/w connection in rooms wherever required.

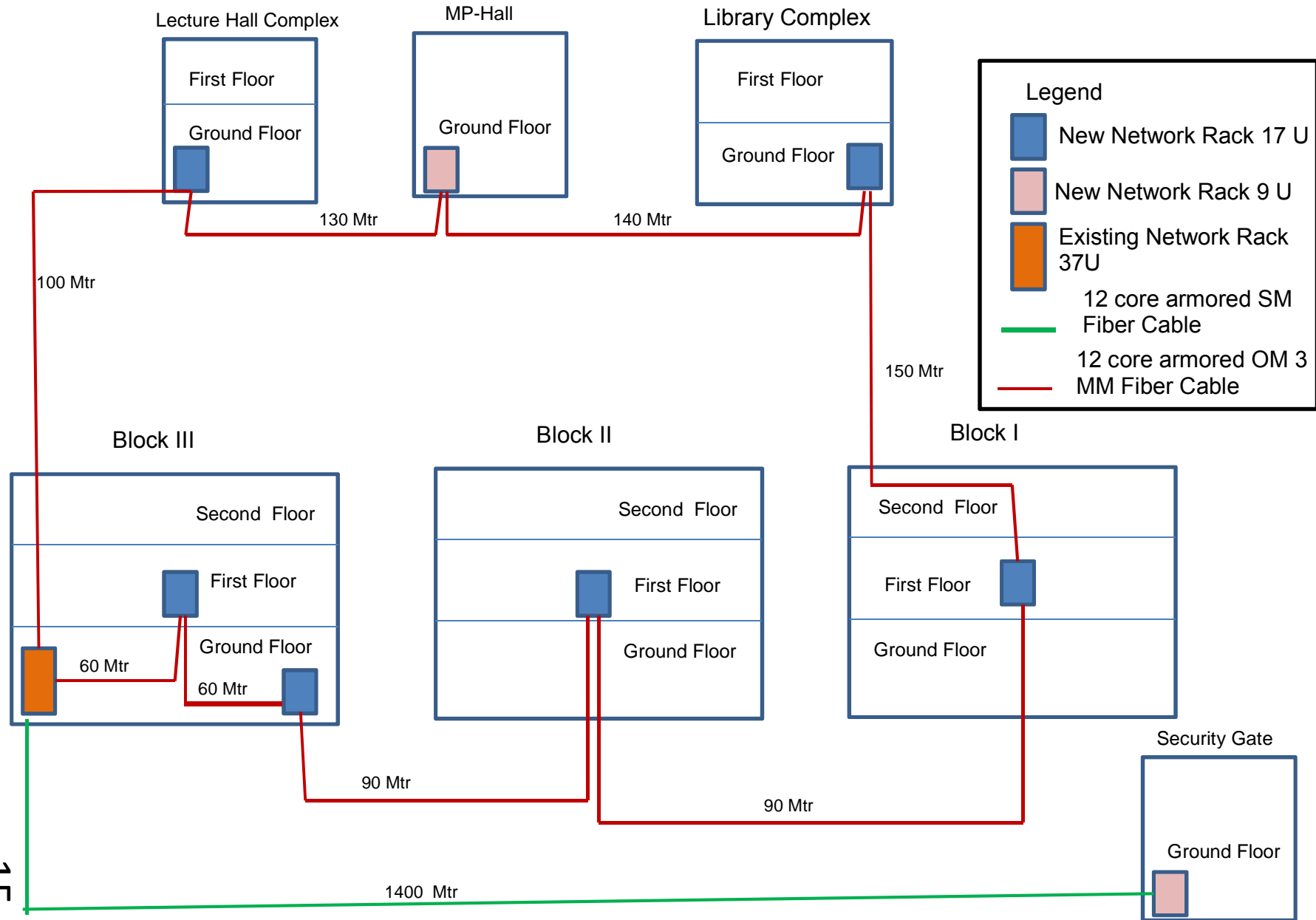
## Existing Count of Network Nodes

Location		User Head	Per Active Data	Total Active Data	Faceplate		
					Quad	Dual	
1	Block -I Total Active Point	64	1	64	0	64	
2	Block -II Total Active Point	63	1	72	0	72	
3	Block -III Total Active Point	44	1	44	0	44	
4	Block -III Total Active Point (Lab Point)	50	1	50	25	25	
5	Lecture Hall	10	1	10	0	10	
6	MP-Hall	4	1	4	0	4	
7	Library	16	1	16	0	16	
8	Main Gate Security	2	1	2	0	2	
				TOTAL	253	25	228

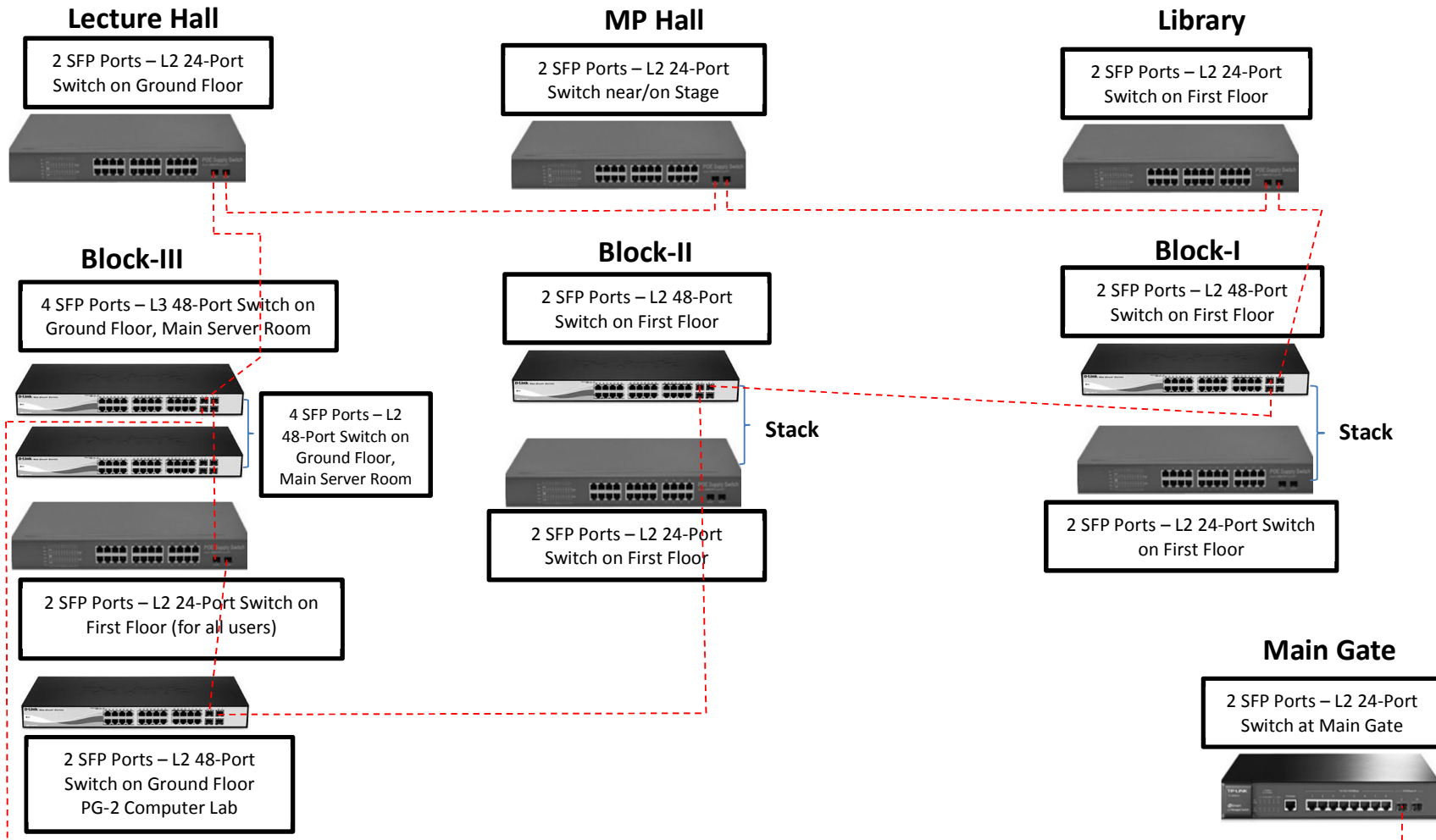
Total Active Data Points	253
Total Quad Faceplates	25
Total Dual Faceplates	228
TOTAL NODES	253
Average Length	65

### Proposed Fiber Optic connectivity Diagram

#### SINGLE MODE/MULTIMODE FIBER BACK BONE CONNECTIVITY



## Active Component Connectivity



**Bill of Material**  
**(To be included in Commercial Bid)**

The Bidder should provide Bill of Material (details of all Modules / Components of Software including those bought-out, off-the-shelf or third-party products / items required) Module-wise, in the following format.

**List 1 # 7**  
**Fiber Backbone Distribution**

Sr No	Location From	Location To	Paths	Length	Runs	12 Core MM (Out Door)	Pigtail MM@Field Side	Pigtail MM@Rack Side	48 Fiber LIU SM	24 Fiber LIUMM	12 Fiber LIUSM
<b>12 core MM Cable out door</b>											
1	Block III Server Room	Block III First Floor	Primary	60	1	60	12	12	0	1	0
2	Block III First Floor	Block III Lab Room	Secondary	60	1	60	12	12	0	1	0
3	Block III Lab Room	Block II First Floor	Primary	90	1	90	12	12	0	1	0
4	Block II First Floor	Block I First Floor	Secondary	90	1	90	12	12	0	1	0
5	Block I First Floor	Library	Primary	150	1	150	12	12	0	1	0
6	Library	MP -Hall	Secondary	140	1	140	12	12	0	1	0
7	MP -Hall	Lecture hall	Primary	130	1	130	12	12	0	1	0
8	Lecture Hall	Block III Server Room	Secondary	100	1	100	12	12	0	1	0
					<b>Total</b>	<b>820</b>	<b>96</b>	<b>96</b>	<b>0</b>	<b>8</b>	<b>0</b>
<b>12 core SM Cable out door</b>											
9	Block III Server Room	Security Gate	Primary	1400	1	1400	12	12	0	0	2
					<b>Total</b>	<b>1400</b>	<b>12</b>	<b>12</b>	<b>0</b>	<b>0</b>	<b>2</b>

### Fiber Patch Cord Distribution

Sr No	Location From	Location To	LC-LC MM Fiber Patch Cord 2 Mtr @Field	LC-LC MM Fiber Patch Cord 2 Mtr @Rack Side	LC-LC MM Fiber Patch Cord 2 Mtr @Rack Side	Block III Server Room LC-LC SM Fiber Patch Cord 2 Mtr @Rack Side
<b>6 core SM Cable out door</b>						
1	Block III Server Room	Block III First Floor	1	1		
2	Block III First Floor	Block III Lab-2 Room	1	1		
3	Block III Lab-2 Room	Block II First Floor	1	1		
4	Block II First Floor	Block I First Floor	1	1		
5	Block I First Floor	Library	1	1		
6	Library	MP Hall	1	1		
7	MP Hall	Lecture Hall	1	1		
8	Lecture Hall	Block III Server Room	1	1		
9	Block III Server Room	Security Main Gate				2
10	Block III Server Room	Existing Connectivity	0	0	6	6
	Block III Server Room					
			8	8	6	8

12 Core MM	Pigtail MM	Pigtail MM	48 Fiber	24 Fiber	12 Fiber
	@Field Side	@Rack Side	LIU MM	LIU MM	LIU MM
820	96	96	0	8	0

12 Core SM	Pigtail SM	Pigtail SM	48 Fiber	24 Fiber	12 Fiber
	@Field Side	@Rack Side	LIU SM	LIU SM	LIU SM
1400	12	12	0	0	12

**List 2 # 7  
Networking Supply**

Sr. No	Make	Description	Total Qty	UOM	Rate	Total	Taxes	Total with Taxes
<b>Workstation Side : Data (USER SIDE)</b>								
1		CAT6 UTP Cables (305 m per Box) Grey	58	Box				
2		CAT6 Information Outlets Active Data - Yellow	253	Each				
3		4-port faceplate, WHITE	25	Each				
4		2-port faceplate, WHITE	228	Each				
5		Cat6 SL Series Patch Cords - 7 Feet - Yellow - Active Data	253	Each				
6		Cat6 SL Series Patch Cords - 7 Feet - Green- Active Data	6	Each				
<b>NETWORK RACK SIDE : Data</b>								
6		24-port unloaded, Straight Jack Panel, SL-Series, 1U - Active Data	13	Each				
7		Cable Support Bar for Jack Panel	13	Each				
8		CAT6 Information Outlets Data Active - Yellow	253	Each				
9		Cat6 SL Series Patch Cords - 3 Feet - Yellow - For Active Data	253	Each				
<b>Fiber Backbone (Single Mode)</b>								
10		12-core Outside Plant Cable - Corrugated Steeltape Armored, Loose-tube, 9/125 micron SM	1400	Mtrs				
11		24-fiber LC-Style, Single mode, 19-inch Rack mount Patch Panel, 1U, Loaded with adapter Plates	2	Each				
12		LC-Style Pigtail, 9/125, Single mode, 1.5 meter	24	Each				
13		LC-LC Single mode 9/125 micron Duplex Patch Cord, 2 Meter (Existing Setup)	6	Each				
14		LC-LC Single mode 9/125 micron Duplex Patch Cord, 2 Meter (Existing Setup)	8	Each				



Sr. No	Make	Description	Total Qty	UOM	Rate	Total	Taxes	Total with Taxes
<b>Fiber Backbone (Multimode)</b>								
16		12-core Outside Plant Cable - Corrugated Steel tape Armored, Loose - tube, 50/125 OM3 MM	820	Mtrs				
17		24-fiber LC-Style, Multimode, 19-inch Rack mount Patch Panel, 1U, Loaded with adapter Plates	8	Each				
18		LC-Style Pigtail, 50/125, OM3 Multi mode , 1.5 meter	192	Each				
19		LC-LC Multimode 50/125 micron Duplex Patch Cord, 2 Meter	16	Each				
				<b>Total</b>				

**List 3 # 7**  
**Active Networking Supply**

Sr No	Product Make	Particulars	UOM	Qty	Rate	Total	Taxes (%)	Total with Taxes
1		24-Port, 4 x 1G SFP, LAN Base Network Switches	Nos	7				
2		48-Port L2 Switch	Nos	4				
3		48-Port L3 Data IP Services (should support EIGRP)	Nos	1				
3.1		4 x 1GE Network Module for Network Switch	Nos	1				
3.2		50CM Type 1 Stacking Cable	Nos	1				
3.3		Stack Power Cable 30 CM	Nos	1				
3.4		350W AC Config 1 Power Supply	Nos	1				
4		48 GigE, 4 x 1G SFP, LAN Base	Nos	5				
5		1000BASE-SX SFP transceiver module, MMF, 850nm	Nos	16				
6		1000BASE-LX/LH SFP transceiver module MMF/SMF 1310nm	Nos	2				
		<b>TOTAL (SUPPLY)</b>						

**List 4 # 7**  
**Miscellaneous Supply**

Sr. No	Make	Description	Total Qty	UOM	Rate	Total	Taxes (%)	Total with Taxes
1		100mm *50 mm Cable tray Powder Coated Off White Colour with Top Cover Included Hardware	110	Mtr				
2		50 mm *50 mm Cable tray Powder Coated Off White Colour with Top Cover Included Hardware	480	Mtr				
3		100mm *50 mm Cable tray L bracket Accessories	110	Ea				
4		50 mm *50 mm Cable tray L bracket Accessories	480	Ea				
5		25mm Pvc Casing capping /Conduits /Flexible Pipe with Accessories	900	Mtr				
6		50 mm Pvc Casing capping /Conduits /Flexible Pipe with Accessories	400	Mtr				
7		32 MM HDPE Pipe	1740	Mtr				
8		Surface Mount Boxes	304	Ea				
9		Labels for Jack Panels, Faceplates, Patch Cords & Consumables (Ties & Velcros)	9	Lot				
Total Amount								

**List 5 # 7  
Racks Supply**

Network RACKS								
Sr No	Product Make	Description	UOM	Qty	Rate	Total	Taxes (%)	Total with Taxes
1		17U Rack Frame/600/800/Steel/ (WALL MOUNT) with all accessories	Nos	6				
2		9U Rack Frame/600/600/Steel/(WALL MOUNT) with all accessories	Nos	2				
TOTAL (SUPPLY)								

**List 6 # 7**  
**Networking Services**

Sr. No	Part Code	Description	UOM	Total Qty	Rate	Total	Taxes (%)	Total with Taxes
1		Laying of UTP CAT 6 Cable (305 Mtr Box)	Box	58				
2		Laying of Fiber cable	Mtrs	2220				
3		Splicing of Pigtails and OTDR Testing	Each	216				
4		IO Termination including Testing	Each	506				
5		Installation of Jackpanels	Each	13				
6		Installation of Faceplate	Each	253				
7		Installation of Network Rack	Each	8				
8		8x5 NBD OEM Support for all Switches	1 Yr	12				
11		Dressing of Racks	Each	8				
12		Installation of 100mm *50 mm Cable tray Powder Coated Off White Color with Top Cover Included Hardware with accessories	Mtrs	110				
13		Installation of 50 mm *50 mm Cable tray Powder Coated Off White Color with Top Cover Included Hardware with accessories	Mtrs	480				
14		Installation of 25mm Pvc Casing capping /Conduits / Flexible Pipe with Accessories	Mtrs	900				

Sr. No	Part Code	Description	UOM	Total Qty	Rate	Total	Taxes (%)	Total with Taxes
15		Installation of 50 mm PVC Casing capping /Conduits / Flexible Pipe with Accessories	Mtrs	400				
16		Installation of 32 MM HDPE Pipe	Mtrs	1740				
17		Installation of Surface Mount Boxes	Each	304				
18		Civil Excavation & Refilling 600mm Depth and 300mm	Mtrs	1730				
19		Core cutting 75mm	Each	6				
20		Removing of Existing Cat 05 Cable /Racks / Switches /Casing Capping/Conduits /patch cords Jack Panels /Face plates /Backmount Boxes/Information outlet	Job	1				
21		Labels for Jack Panels, Faceplates, Patch Cords ,& LIU Fiber Patch cords Consumables (Ties & Velcros)	Job	1				
22		Project Management & Consultancy , Security for Inventory & Store, Construction of Store .etc.	Job	1				
23		<b>CDS - GUI based Interactive Software Cabling documentation System and 25 Year Warranty Certification.</b>	Job	1				
Total Amount								

**List 7 # 7**  
**Total Project Cost @ Single View**

Sr.No	Description	Price in INR	Taxes (Rs)	Total with Taxes
1	Networking Supply			
2	Active Networking Supply			
3	MiscellaneousSupply			
4	Racks Supply			
5	Networking Services			
<b>TOTAL AMOUNT</b>				

	Details	Amount in Indian Rs.
1)	Total cost for Local Area Network Upgradation of NIBM, Pune including the scope of work mentioned in the RFP	
2)	Cost for 4th year for maintenance and support (comprehensive)	
2-a)	Cost for 4th year for maintenance and support (non-comprehensive)	
3)	Cost for 5th year for maintenance and support (comprehensive)	
3-a)	Cost for 5th year for maintenance and support (non-comprehensive)	
	<b>Grand Total of above 3 items (1 + 2 + 3) =</b>	
	<b>Grand Total of above 3 items (1 + 2-a + 3-a) =</b>	

**The above amount will be taken for Final evaluation.**

Seal and Signature of Bidder: \_\_\_\_\_

Name : \_\_\_\_\_

Business Address : \_\_\_\_\_  
 \_\_\_\_\_

Place : \_\_\_\_\_

Date: \_\_\_\_\_